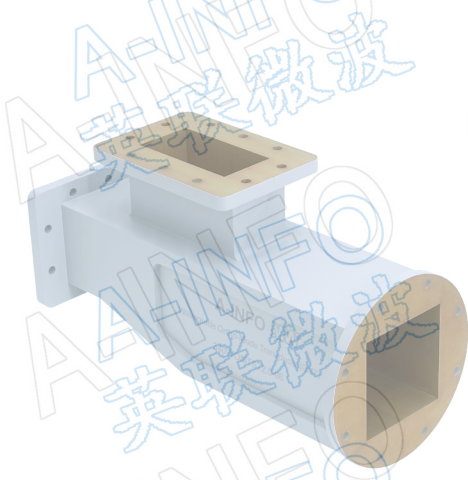


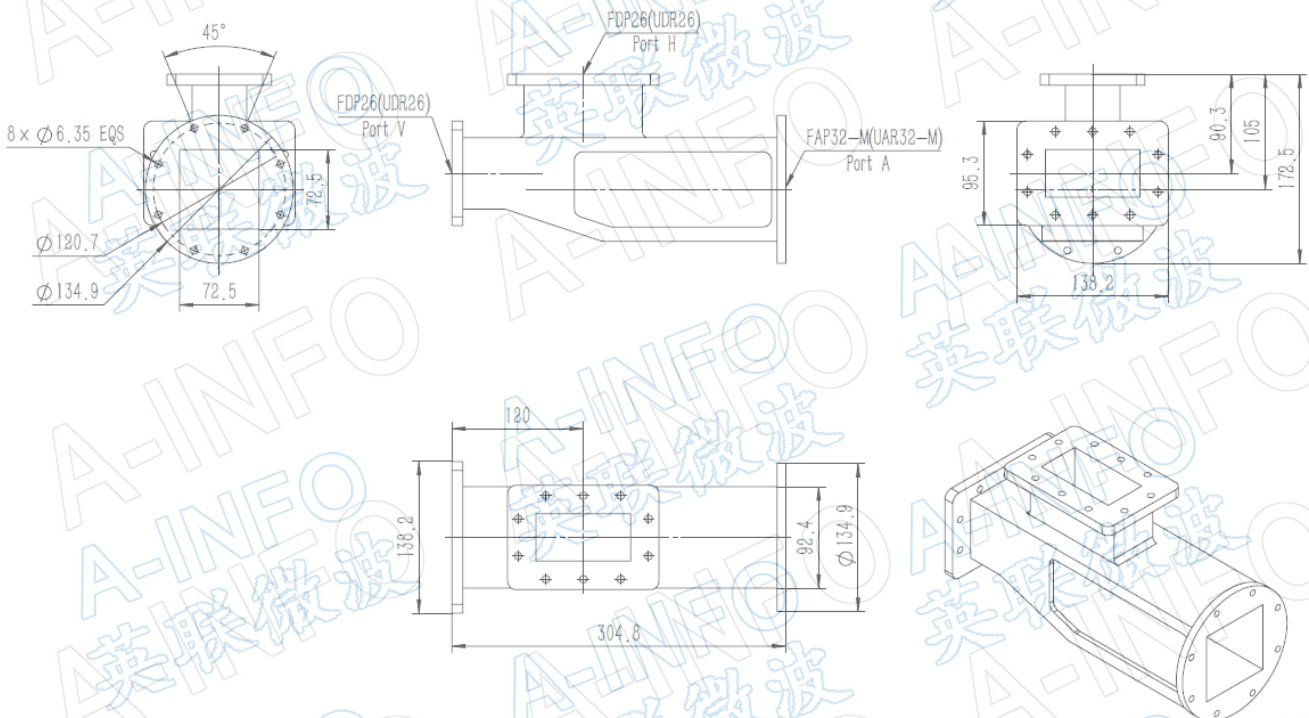
For reference only. See data sheet for the detailed specifications.

Technical Specification



EIA WR	WR340
Frequency Range(GHz)	2.20 – 2.90
Bandwidth	Full
Common Port	72.5mm Square WG
Insertion Loss(dB)	0.4 Max.
VSWR	1.50:1 Typ.
Cross Pol. Isolation(dB)	45 Typ. ; 40 Min.
Port to Port Isolation(dB)	50 Min.
Common Port Flange	FAP32-M(UAR32-M)
Flange	FDP26(UDR26)
Material	Al
Size(mm)	304.8 x 138.2 x 172.5
N.W.(Kg)	3.02 Around

Outline Drawing (Size: mm)



AINFO Inc.

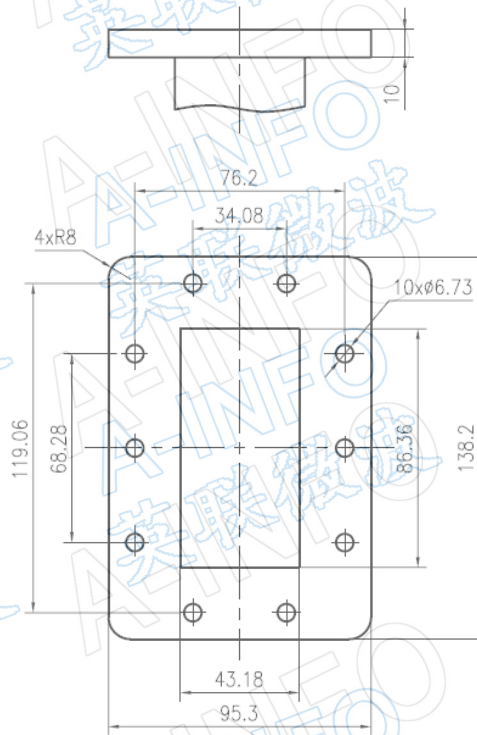
China(Beijing): Tel: (+86) 10-6266-7326,
 China(Chengdu): Tel: (+86) 28-8519-2786,
 USA: Tel: (+1) 949-639-9688,

Page 1 of 5

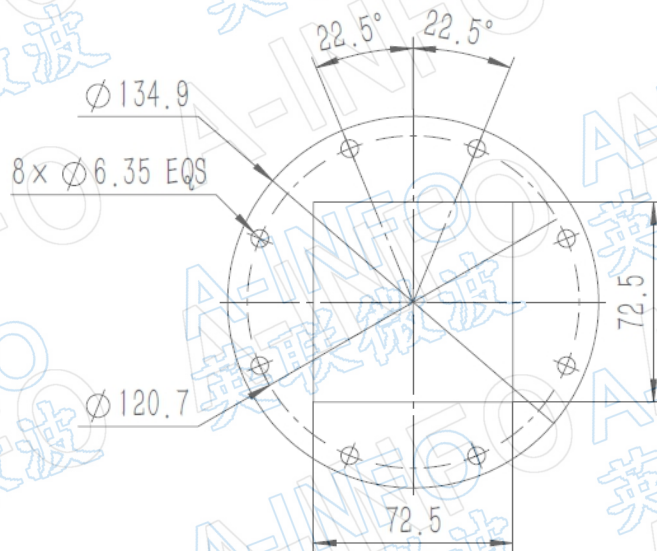
(+86) 10-6266-7327 Fax: (+86) 10-6266-7379
 (+86) 28-8519-3044 Fax: (+86) 28-8519-3068
 (+1) 949-639-9608 Fax: (+1) 949-639-9670

Website: www.ainfoinc.com
 Email: sales@ainfoinc.com

Flange Drawing (Size: mm)



FDP26



FAP32-M

AINFO Inc.

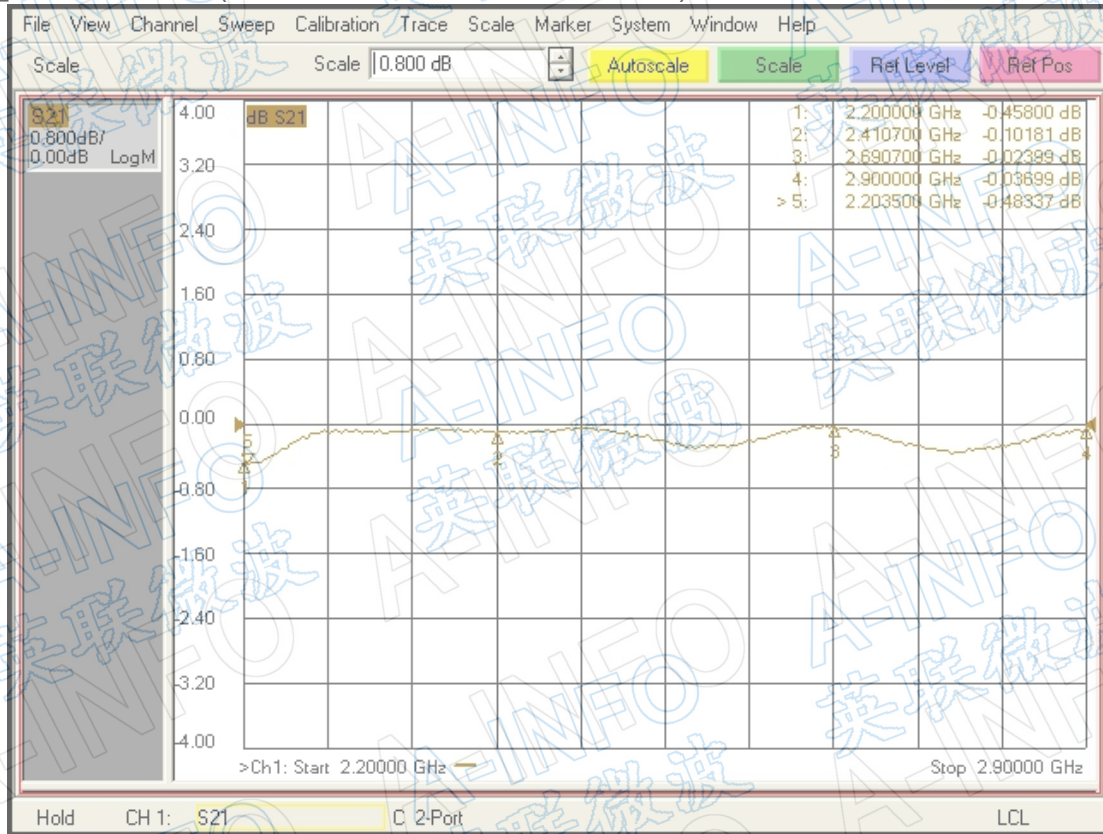
China(Beijing): Tel: (+86) 10-6266-7326,
China(Chengdu): Tel: (+86) 28-8519-2786,
USA: Tel: (+1) 949-639-9688,

(+86) 10-6266-7327 Fax: (+86) 10-6266-7379
(+86) 28-8519-3044 Fax: (+86) 28-8519-3068
(+1) 949-639-9608 Fax: (+1) 949-639-9670

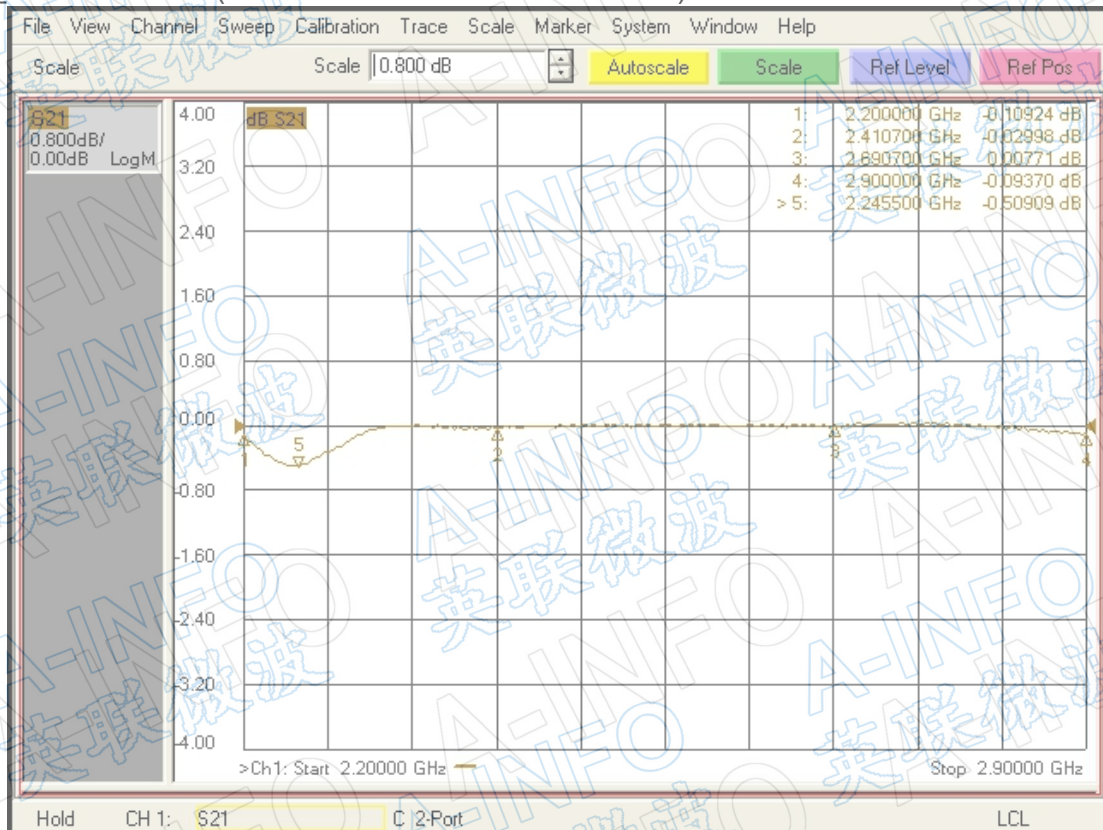
Website: www.ainfoinc.com
Email: sales@ainfoinc.com

Test Results

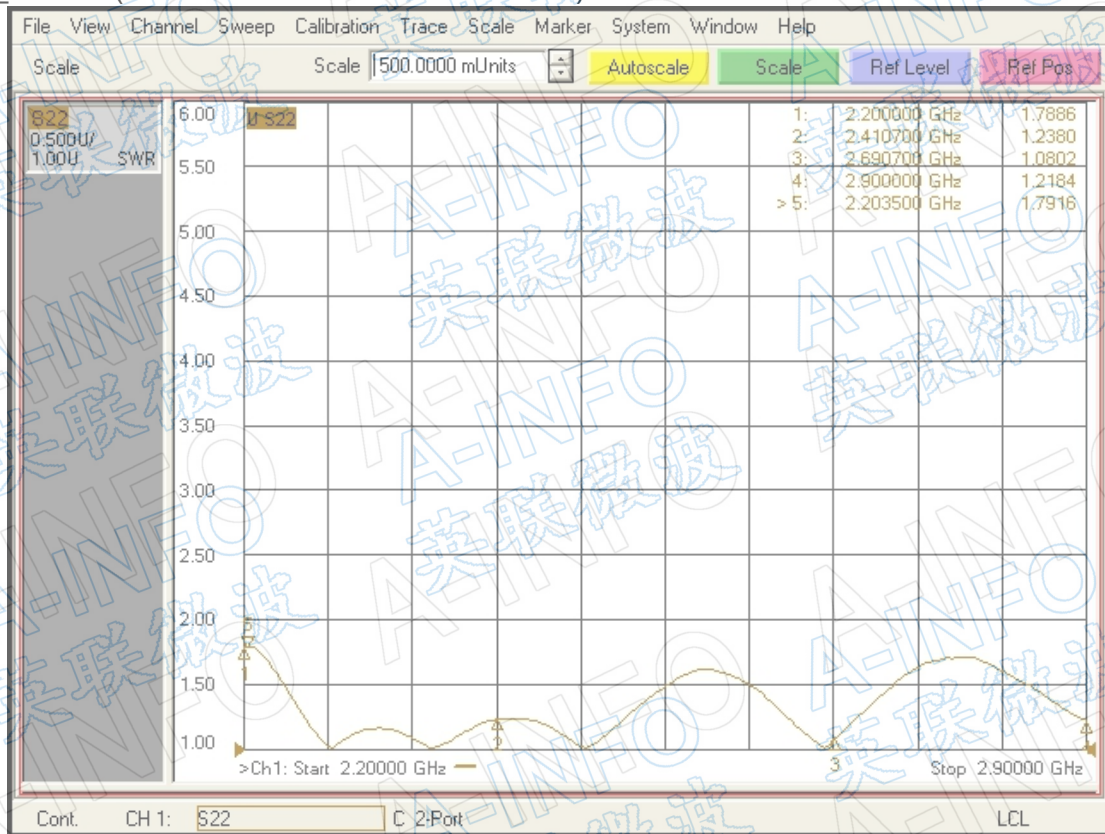
Port H Insertion Loss(Test with two OMT back to back)



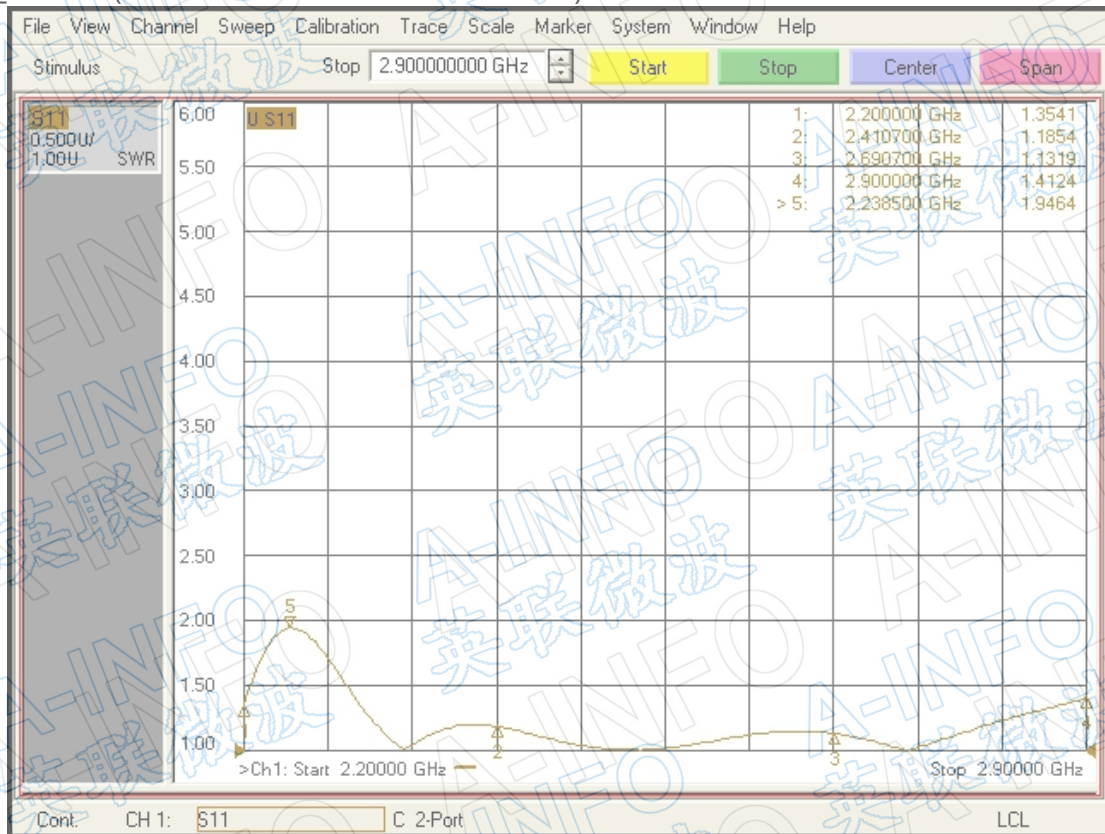
Port V Insertion Loss(Test with two OMT back to back)



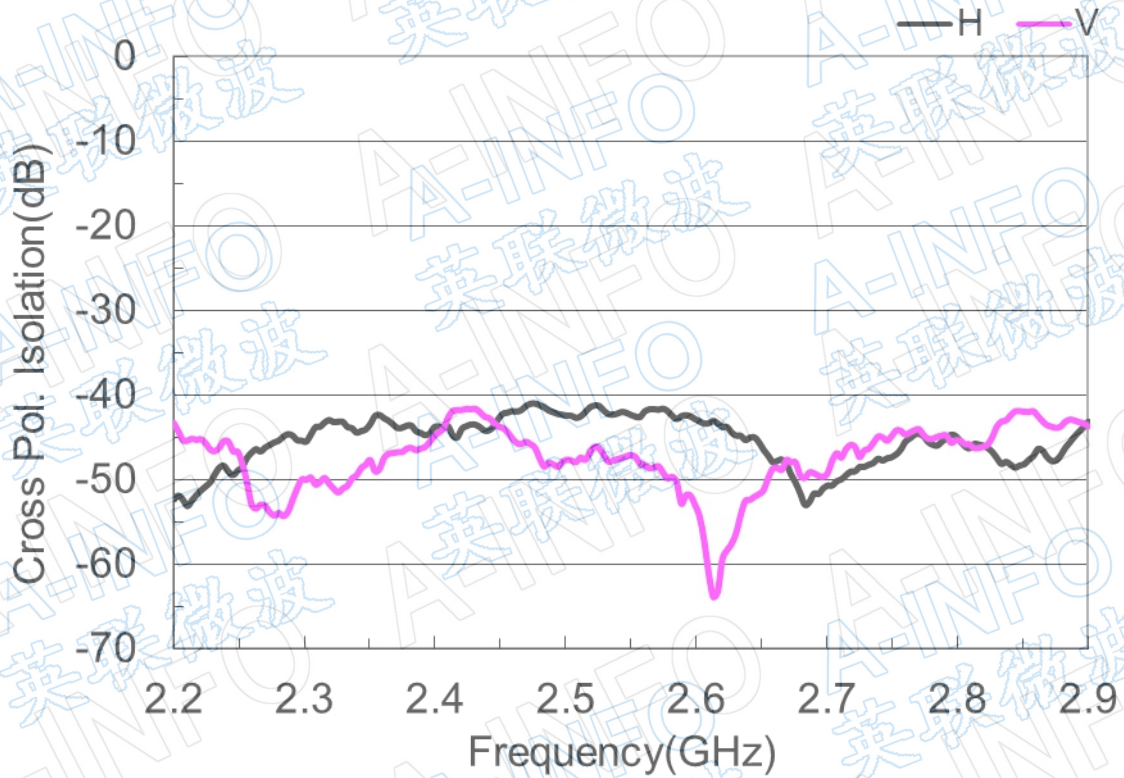
Port H_VSWR (Test with two OMT back to back)



Port V_VSWR (Test with two OMT back to back)



Cross Polarization Isolation



Port to Port Isolation

